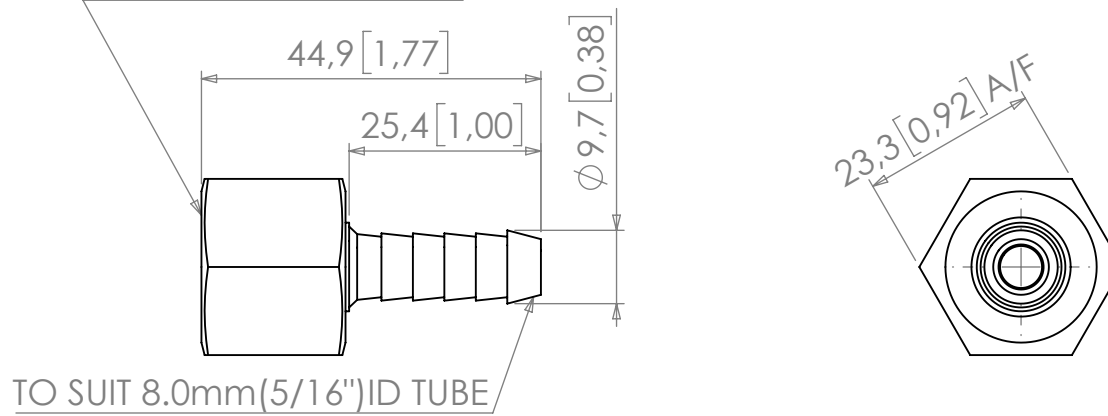


G3/8" FEMALE NUT R/H



1				07/10/2019	
REV	CREATED	CHECKED	APPROVED	DWG DATE	REF
MATERIAL: BRASS					

THIS DRAWING IS CONFIDENTIAL AND IS THE PROPERTY OF THE WEST GROUP LTD AND MAY NOT BE REPRODUCED IN WHOLE OR IN PART, OR USED FOR ANY OTHER PURPOSE OTHER THAN THAT FOR WHICH IT IS SUPPLIED. ALL RIGHTS IN RESPECT OF PATENTS, DESIGN AND COPYRIGHTS RESERVED.

WEST GROUP LTD, UK
TEL: +44 (0) 23 9226 6031
WWW.WESTGROUP.CO.UK
SALES@WESTGROUP.CO.UK



TITLE: G3/8" FEMALE NUT R/H X 5/16" HOSETAIL, BRASS

	DIM'S mm[inch]	SCALE NTS	SIZE A4	SHEET 1 / 1	DOCUMENT NUMBER NTC HT516RH	REVISION 1
--	-------------------	--------------	------------	----------------	--------------------------------	---------------